

Fixing

- Wall installation with 4 anchor bolts (not furnished).

Dimension - Weight - Area exposed to wind pressure

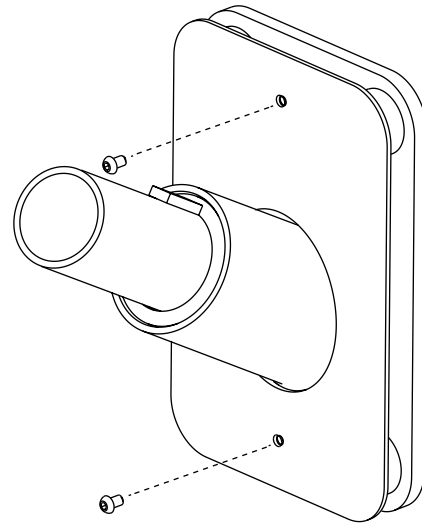
Height	Width	Length	Diameter	Weight	Area
275 mm	96mm	180 mm		5.2 Kg	0,044 m ²

Materials

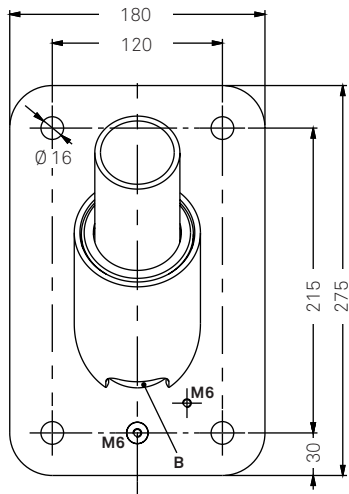
- Hot galvanized steel.

Structure - Main components

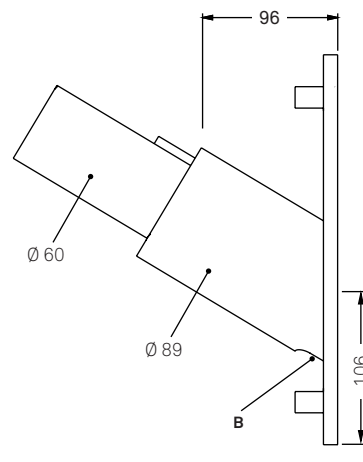
- A plate (1°) with rounded corners, tickness 10 mm, equipped with 4 hole, diam. 16 mm for fixing to wall with 4 anchor bolts and a hole threaded M6 for the grounding (GND). To plate are welded to two tubes (diam. 89 and diam. 60) with a inclination of 60°.
- A decorative plate (2°) to covering the anchor screws, tickness 3 mm, fixed with two screw M6 in stainless steel.
- The cable passes from the hole (Ø 75 mm) at the back of plate, or from slot B.
- The light fixture must be inserted on the tube diam. 60 mm, up to the stop tooth (A).



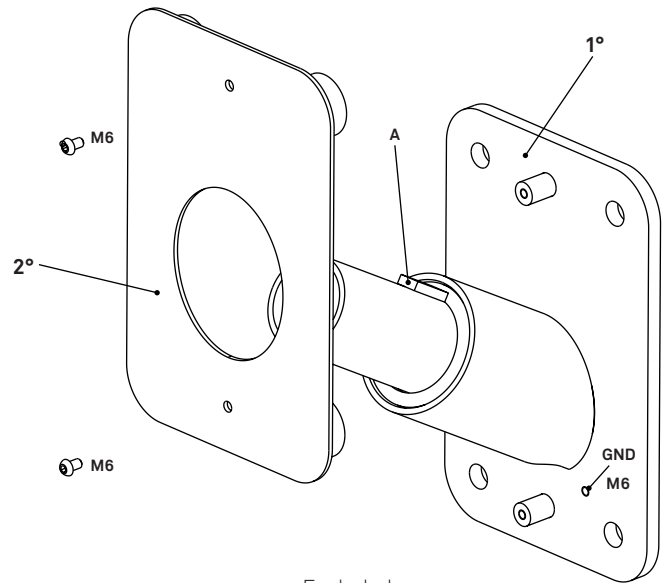
3D View



Front



Side



Exploded